

BALDOR® • RELIANCE 

Product Information Packet

FPM2549T

75//60HP,3535//2940RPM,3PH,60//50HZ,364T

Part Detail							
Revision:	A	Status:	PRD/A	Change #:		Proprietary:	No
Type:	AC	Elec. Spec:	42WGW976	CD Diagram:	CD0104	Mfg Plant:	
Mech. Spec:	42E360	Layout:	42LYE360	Poles:	02	Created Date:	03-20-2017
Base:	RG	Eff. Date:	08-22-2018	Leads:	12#6		

Specs			
Catalog Number:	FPM2549T	Heater Indicator:	No Heater
Enclosure:	OPSB	Insulation Class:	F
Frame:	364TS	Inverter Code:	Not Inverter
Frame Material:	Steel	KVA Code:	F
Output @ Frequency:	60.000 HP @ 50 HZ	Lifting Lugs:	Standard Lifting Lugs
	75.000 HP @ 60 HZ	Locked Bearing Indicator:	Locked Bearing
Synchronous Speed @ Frequency:	3000 RPM @ 50 HZ	Motor Lead Quantity/Wire Size:	12 @ 6 AWG
Voltage @ Frequency:	460.0 V @ 60 HZ	Motor Lead Exit:	Ko Box
	380.0 V @ 50 HZ	Motor Lead Termination:	Flying Leads
	230.0 V @ 60 HZ	Motor Type:	4250M
	190.0 V @ 50 HZ	Mounting Arrangement:	F1
Agency Approvals:	CSA EEV	Power Factor:	90
	UL	Product Family:	Fire Pump Motor
Auxillary Box:	No Auxillary Box	Pulley End Bearing Type:	Ball
Auxillary Box Lead Termination:	None	Pulley Face Code:	Standard
Base Indicator:	Rigid	Pulley Shaft Indicator:	Standard
Bearing Grease Type:	Polyrex EM (-20F +300F)	Rodent Screen:	None
Blower:	None	Shaft Extension Location:	Pulley End

Current @ Voltage:	84.000 A @ 460.0 V	Shaft Ground Indicator:	No Shaft Grounding
	82.000 A @ 380.0 V	Shaft Rotation:	Reversible
	168.000 A @ 230.0 V	Shaft Slinger Indicator:	No Slinger
	164.000 A @ 190.0 V	Speed Code:	Single Speed
Design Code:	B	Motor Standards:	NEMA
Drip Cover:	No Drip Cover	Starting Method:	Wye Start - Delta Run
Duty Rating:	CONT	Thermal Device - Bearing:	None
Electrically Isolated Bearing:	Not Electrically Isolated	Thermal Device - Winding:	None
Feedback Device:	NO FEEDBACK	Vibration Sensor Indicator:	No Vibration Sensor
Front Face Code:	Standard	Winding Thermal 1:	None
Front Shaft Indicator:	None	Winding Thermal 2:	None

Nameplate NP3454L											
CAT.NO.	FPM2549T			CUST P/N				I.P.	23		
SPEC.	42E360W976H2			SER.NO.				FRAME	364TS		
HZ	60	HP	75	RPM	3535	HZ	50	HP	60	RPM	2940
VOLTS	230/460			CODE	F	VOLTS	190/380			CODE	F
AMPS	168/84			DES	B	AMPS	164/82			DES	B
EFF	93	SER.F.	1.15	PF	90	EFF	93	SER.F.	1.15	PF	90
RATING	40C AMB-CONT			DE BRG	6313			GREASE	POLYREX EM		
BLANK				ODE BRG	6311			MTR. WT.	472		
				CLASS	F						
				ENCL	OPSB						
								PH	3		
								CC	010A		
HTR-VOLTS		HTR-AMPS		HTR-WATTS							

Parts List		
Part Number	Description	Quantity
SA336188	SA 42E360W976H2	1.000 EA
RA324421	RA 42E360W976H2	1.000 EA
HA6360	LIFTING LUG FOR 42 FRAME MOTORS.	2.000 EA
HA6017	CAST ADAPTER, 40,42 KOBX	1.000 EA
19XW3118A12	.31-18 X .75 HEX WASHER HEAD TAPTITE II	2.000 EA
HW1001A31	LOCKWASHER 5/16, ZINC PLT.591 OD, .319 I	2.000 EA
12CB1002A48	CONDUIT BOX, W/3.62 DIA. LEAD HOLE	1.000 EA
19XW3118A16	.31-18 HEX WASHER HEAD TAPTITE II 1.00 L	4.000 EA
HW1001A31	LOCKWASHER 5/16, ZINC PLT.591 OD, .319 I	4.000 EA
WD1000B53	TERMINAL BURNDY KPA34	1.000 EA
10XN5013K10	1/2-13 X .625 HEX HD, GRADE 5	1.000 EA
HW1001A50	LOCKWASHER 1/2, ZINC PLT.,.879 OD, .509 I	1.000 EA
42EP3200A01	FR ENDPLATE, MACH	1.000 EA
HW5100A13	W4627-047 WVY WSHER	1.000 EA
42EP1202A01	STD PU ENDPLATE MODEL 42 313 BRG.	1.000 EA
10XN3816K44	3/8-16 X 2.75 HEX HD CAP SCREW, GRADE 5	4.000 EA
HW1001A38	LOCKWASHER 3/8, ZINC PLT .688 OD, .382 I	4.000 EA
XY5013A12	NUT,1/2-13,HEX,STEEL,ZINCPLATED	8.000 EA
18CB1501A01	CONDUIT BOX LID, MODEL 318 OPEN	1.000 EA
10XN3118K16	5/16-18 X 1' GRADE #5, STL, ZINC PLATE	4.000 EA
HW1001A31	LOCKWASHER 5/16, ZINC PLT.591 OD, .319 I	4.000 EA
HW2501H18	KEY, 1/2 SQ X 2.000	1.000 EA
LB1115N	LABEL,LIFTING DEVICE (ON ROLLS)	1.000 EA
HA4051A00	PLASTIC CAP FOR GREASE FITTING	1.000 EA

Parts List (continued)		
Part Number	Description	Quantity
HW4500A03	GREASE FITTING, .125 NPT 1610(ALEMITE) 8	1.000 EA
HW4500A20	1/8NPT SL PIPE PLUG	1.000 EA
MJ1000A02	GREASE, MOBIL POLYREX EM - 124047	0.030 LB
HA4051A00	PLASTIC CAP FOR GREASE FITTING	1.000 EA
HW4500A03	GREASE FITTING, .125 NPT 1610(ALEMITE) 8	1.000 EA
HW4500A20	1/8NPT SL PIPE PLUG	1.000 EA
MG1025R44	WILKOFAS, 784.109, CARMINE RED #3002	0.050 GA
85XU0407S04	4X1/4 U DRIVE PIN STAINLESS	2.000 EA
42AD2001C01	BAFFLE PLATE 42 OPEN, SLOTTED BAND MTRS	1.000 EA
42AD2001C01	BAFFLE PLATE 42 OPEN, SLOTTED BAND MTRS	1.000 EA
HA3151A07	THRUBOLT STUD 1/2-13 X 20.000	4.000 EA
LB1119N	WARNING LABEL	1.000 EA
LC0104A01	CONNECTION DIAGRAM	1.000 EA
NP3454L	ALUM FIRE PUMP MOTOR(LEGACY/BALDOR ONLY)	1.000 EA
42PA1000	PACKAGING GROUP PRINT PK1024A06	1.000 EA
MN416A01	TAG-INSTAL-MAINT no wire (1200/bx) 3/19	1.000 EA
PE-0000013	ZRTG PE ASSEMBLY	1.000 EA

AC Induction Motor Performance Data

Record # 54693 - Typical performance - not guaranteed values

Winding: 42WGW976-R001	Type: 4250M	Enclosure: OPSB
-------------------------------	--------------------	------------------------

Nameplate Data				460 V, 60 Hz: High Voltage Connection	
Rated Output (HP)	75//60			Full Load Torque	112 LB-FT
Volts	230/460//190/380			Start Configuration	direct on line
Full Load Amps	168/84//164/82			Breakdown Torque	381 LB-FT
R.P.M.	3535//2940			Pull-up Torque	111 LB-FT
Hz	60//50	Phase	3	Locked-rotor Torque	148 LB-FT
NEMA Design Code	B	KVA Code	F	Starting Current	509 A
Service Factor (S.F.)	1.15			No-load Current	19.8 A
NEMA Nom. Eff.	93	Power Factor	90	Line-line Res. @ 25°C	0.092782 Ω
Rating - Duty	40C AMB-CONT			Temp. Rise @ Rated Load	41°C
S.F. Amps				Temp. Rise @ S.F. Load	52°C
				Locked-rotor Power Factor	21.3

Load Characteristics 460 V, 60 Hz, 75 HP

% of Rated Load	25	50	75	100	125	150	S.F.
Power Factor	67	84	89	90	90	89	90
Efficiency	92.4	94.5	94.5	93.8	92.8	91.5	93.2
Speed	3584.7	3571.7	3556.4	3538.6	3518	3495.6	3526
Line amperes	28.3	44.4	63	83.9	106	130	97.2

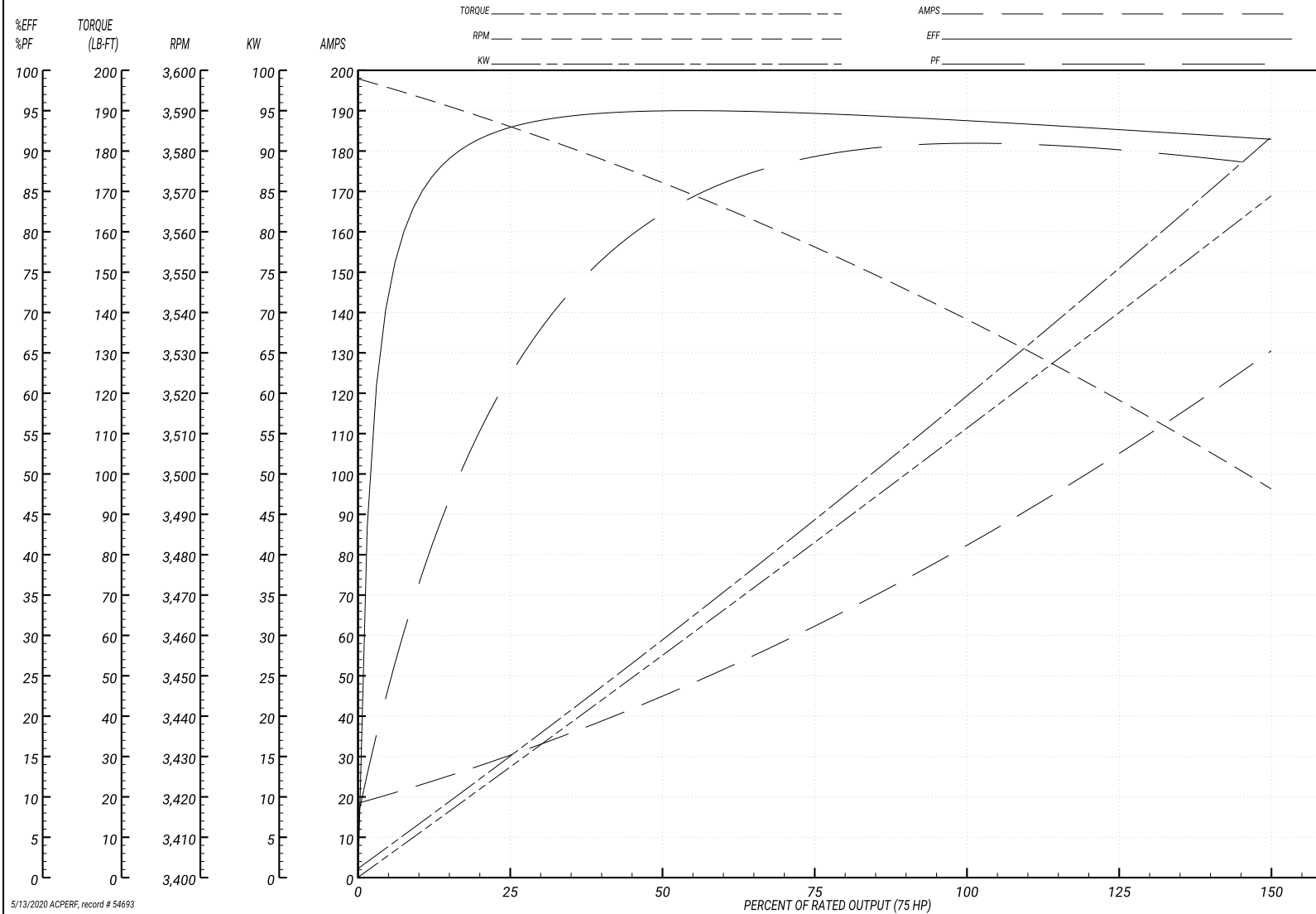
Performance Graph at 460V, 60Hz, 75.0HP Typical performance - Not guaranteed values

ABB Motors and Mechanical Inc.

WINDING # 42WGW976

Typical performance - not guaranteed values.

75 HP 3 PH 60 HZ 3538.6 RPM 460 V 4250M
 TORQUES(LB-FT): PO=381 PU=111 LR=148 LRA=509



5/13/2020 ACPERF, record # 54693

AC Induction Motor Performance Data

Record # 54695 - Typical performance - not guaranteed values

Winding: 42WGW976-R001	Type: 4250M	Enclosure: OPSB
-------------------------------	--------------------	------------------------

Nameplate Data				380 V, 50 Hz: High Voltage Connection	
Rated Output (HP)	75//60			Full Load Torque	108 LB-FT
Volts	230/460//190/380			Start Configuration	direct on line
Full Load Amps	168/84//164/82			Breakdown Torque	368 LB-FT
R.P.M.	3535//2940			Pull-up Torque	118 LB-FT
Hz	60//50	Phase	3	Locked-rotor Torque	157 LB-FT
NEMA Design Code	B	KVA Code	F	Starting Current	498 A
Service Factor (S.F.)	1.15			No-load Current	19.2 A
NEMA Nom. Eff.	93	Power Factor	90	Line-line Res. @ 25°C	0.0928 Ω
Rating - Duty	40C AMB-CONT			Temp. Rise @ Rated Load	40°C
S.F. Amps				Temp. Rise @ S.F. Load	50°C
				Locked-rotor Power Factor	24
				Rotor inertia	3.91 LB-FT ²

Load Characteristics 380 V, 50 Hz, 60 HP

% of Rated Load	25	50	75	100	125	150	S.F.
Power Factor	68	84	89	90	90	89	90
Efficiency	90.6	93.4	93.6	93.3	92.1	90.2	92.6
Speed	2985	2973	2958	2941	2922	2901	2930
Line amperes	27.6	43.3	61.5	81.8	103	127	94.5

Performance Graph at 380V, 50Hz, 60.0HP Typical performance - Not guaranteed values

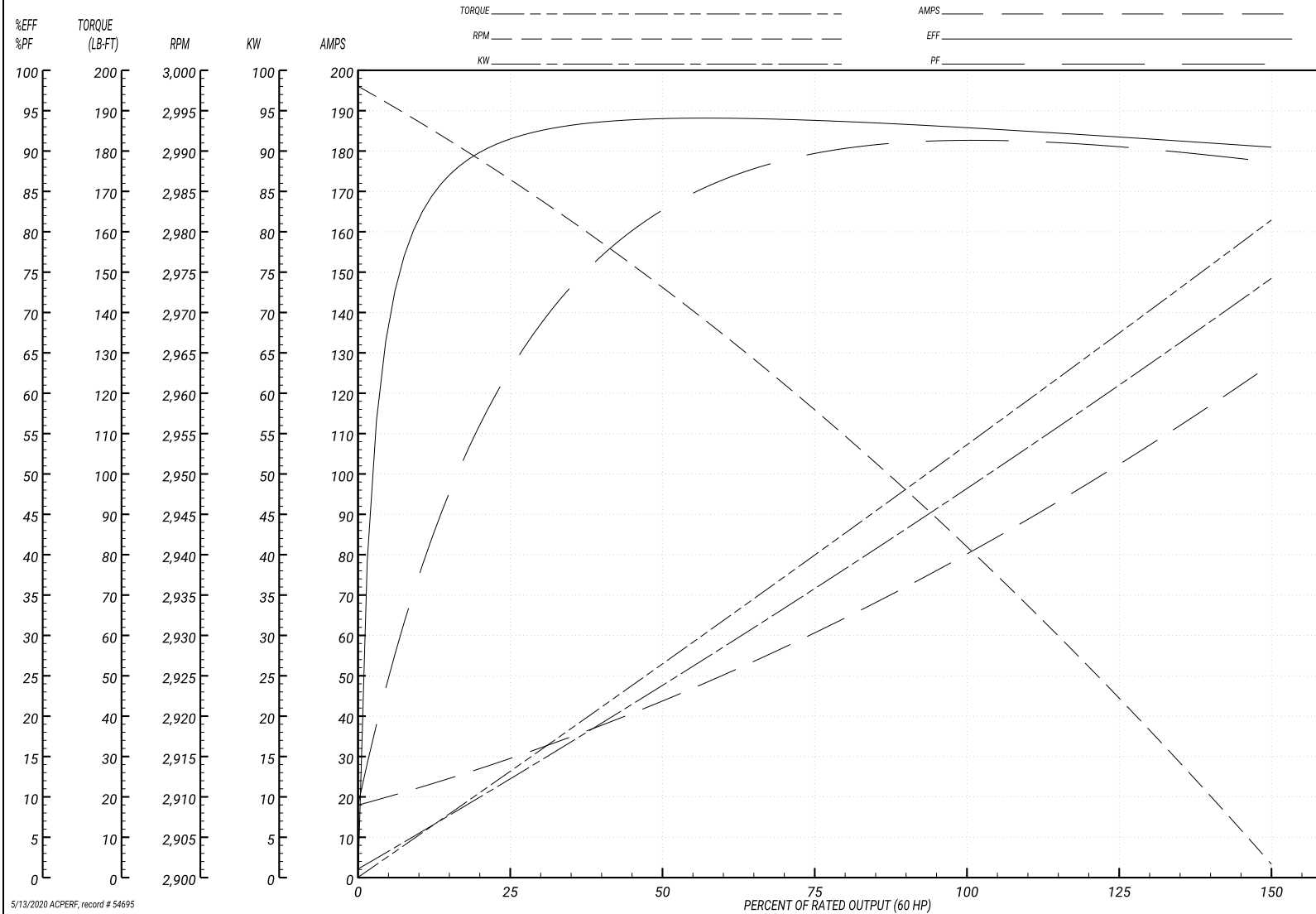
ABB Motors and Mechanical Inc.

WINDING # 42WGW976

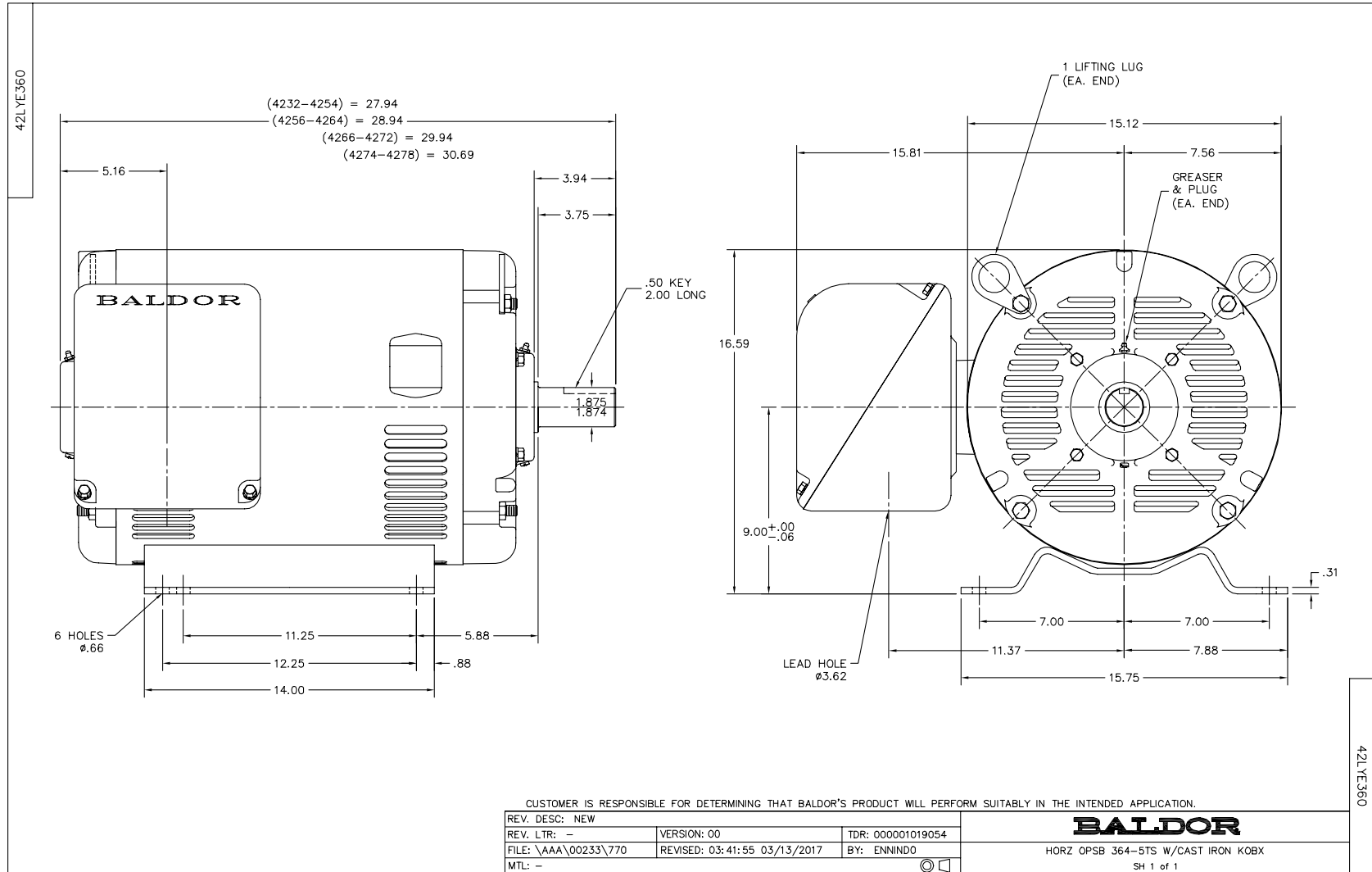
Typical performance - not guaranteed values.

60 HP 3 PH 50 HZ 2941 RPM 380 V 4250M

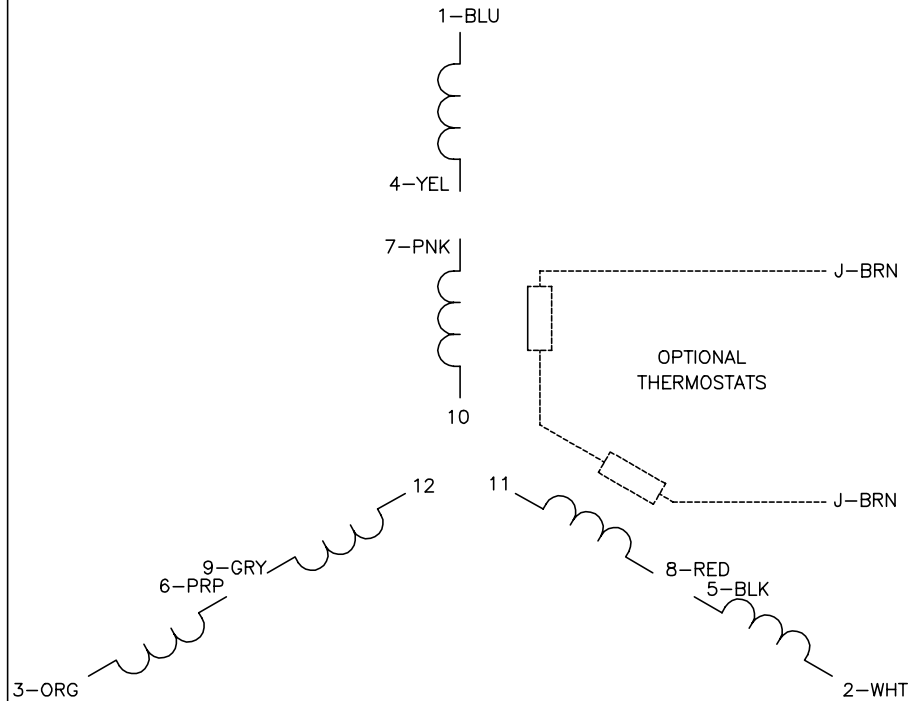
TORQUES(LB-FT): PO=368 PU=118 LR=157 LRA=498



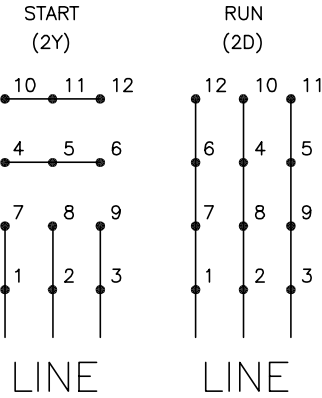
5/13/2020 ACPERF, record # 54695



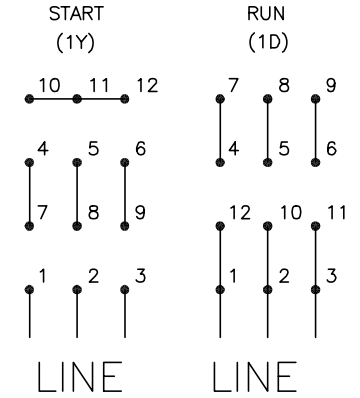
CD0104



LOW VOLTAGE



HIGH VOLTAGE



NOTES:

1. INTERCHANGE ANY TWO LINE LEADS TO REVERSE ROTATION.
2. OPTIONAL THERMOSTATS ARE PROVIDED WHEN SPECIFIED.
3. ACTUAL NUMBER OF INTERNAL PARALLEL CIRCUITS MAY BE A MULTIPLE OF THOSE SHOWN ABOVE.
4. LEAD COLORS ARE OPTIONAL. LEADS MUST ALWAYS BE NUMBERED AS SHOWN.

CD0104

REV. DESC: ADD CLASS CONN00000007		
REV. LTR: D	VERSION: 01	TDR: 000001099922
FILE: \AAA\00008\377	REVISED: 09:02:55 02/19/2019	BY: ENBRIRO
MTL: -	© □	

BALDOR - RELIANCE®

3PH, DV, 12 LEADS, Y START/D RUN

SH 1 of 1

Marketing maintained PDF of MN416:

[MN416?ManNumber=MN416](#)